



SDM72-D

Three Phase 4 Wires Electricity Meter



- Active energy (kWh) + active power (W)
- Pulse output
- 100A direct load
- Class 1.0 Accuracy
- 4 modular (72mm)
- 35mm Din rail mounting
- Display remain when blackout (optional)

User Manual V1.1

2015

Application

The SDM72-D energy-meters “with a white back-lighted LCD screen for perfect reading” is used to measure three-phase energy in commercial and Industrial applications. The unit measures and displays active energy (kWh) and Power (W). An optional version provide super capacitor to keep the LCD display on when the external power is off.

PART 1 Specification

General Specifications

Voltage AC (Un)	3x230(400)V
Voltage Range	80~120% Un
Base Current (Ib)	10A AC
Max. Current (Imax)	100A AC
Mini Current (Imin)	0.5A AC
Starting current	0.4% of Ib
Power consumption	<2W/10VA
Frequency	50/60Hz
AC voltage withstand	4KV for 1 minute
Impulse voltage withstand	6KV-1.2uS waveform
Overcurrent withstand	30Imax for 0.01s
Pulse output rate	1000imp/kWh (default)
Display	LCD with backlit
Max. Reading	999999.9kWh
Active energy	Class 1 IEC62053-21 Class B EN50470-3

Environment

Operating temperature	-25℃ to +55℃
Storage and transportation temperature	-40℃ to +70℃
Reference temperature	23℃ ± 2℃
Relative humidity	0 to 95%, non-condensing
Altitude	up to 3000m
Warm up time	10s
Installation category	CAT III
Mechanical Environment	M1
Electromagnetic environment	E2
Degree of pollution	2



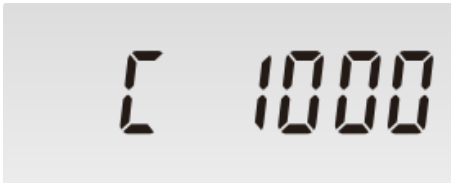

Mechanics

Din rail dimensions	72x100x66 (WxHxD) DIN 43880
Mounting	DIN rail 35mm
Sealing	IP51 (indoor)
Material	self-extinguishing UL94V-0

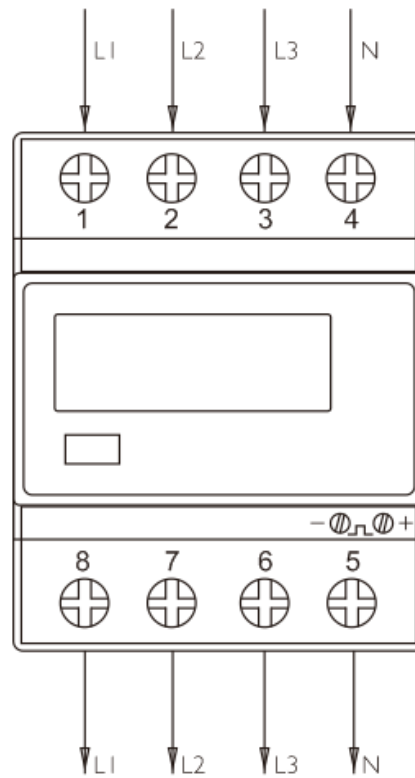
PART 2 Operation

Initialization Display

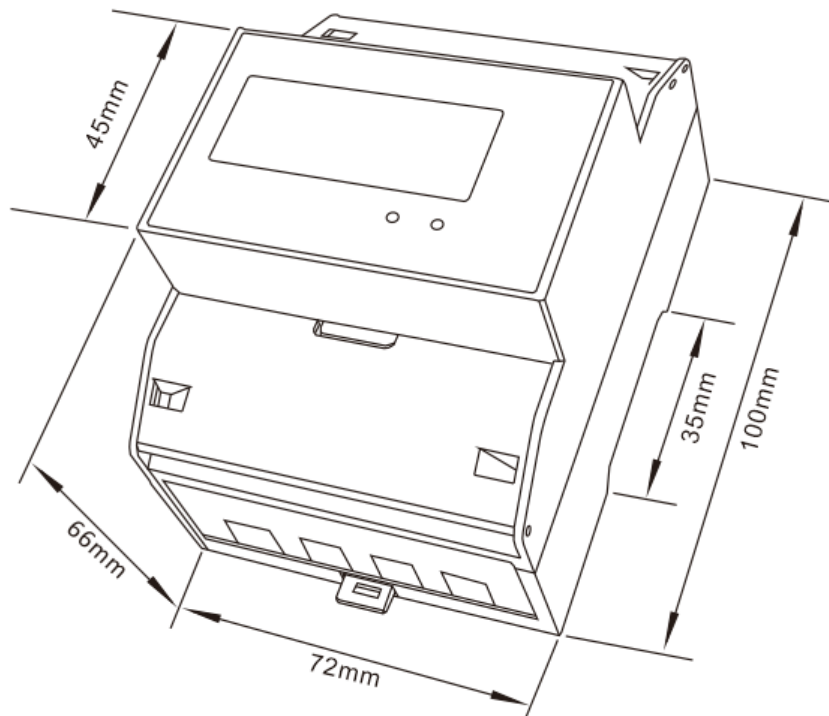
When it is powered on, the meter will initialize and do self-checking.

	<p>Full Screen (3S)</p>
	<p>Software Version (2S)</p>
	<p>Pulse constant (2S)</p>
	<p>Total active energy (kWh)</p>

Wiring diagram



Dimensions



Installation

