



SPECIFICATIONS

Supply Voltage
20 to 240V AC/DC

Frequency Range
50 / 60 Hz

Display / Indication
Power On indication through backlight
3 digit LCD for Preset and Run time
Indication for timing mode, relay output
Hour / Minute / Sec (time unit)

Back Light
White

Battery Backup
Through lithium battery

No. of Keys
4 (Rubber keys)

Time Ranges
99:9 Sec, 999 Sec, 9:59 M:S, 99:9 M, 999 M,
9:59 H:M, 99:9 H, 999 H

Counting Direction
Down

Reset Time
100ms

Initiate Time
30ms

Accuracy
±5% of set time

Relay
1 C/O (SPDT)

Memory Retention
Yes, selectable

Temperature
Operating: 0 - 50°C.
Storage: -20 - 75°C

Humidity
95% RH.

Housing
Flame retardant engineering plastic

Weight
225 gms

SAFETY PRECAUTIONS

All safety related codifications, symbols and instructions that appear in this operating manual or on the equipment must be strictly followed to ensure the safety of the operating personnel as well as the instrument.

If the equipment is not handled in a manner specified by the manufacturer it might impair the protection provided by the equipment.

CAUTION: Read complete instructions prior to installation and operation of the unit.

WARNING: Risk of electric shock.

WIRING GUIDELINES

WARNING:
1. To prevent the risk of electric shock power supply to the equipment must be kept OFF while doing the wiring arrangement. Do not touch the terminals while power is being supplied.

2. To eliminate electromagnetic interference use short wires with adequate ratings; twists of the same in equal size shall be made. For the input and output signal lines, be sure to use shielded wires and keep them away from each other.

3. Cable used for connection to power source, must have a cross section of 1mm² or greater. These wires shall have insulation capacity of at least 1.5kV.

MAINTENANCE

1. Clean the equipment with a soft cloth . Do not use Isopropyl alcohol or any other cleaning agent.

INSTALLATION GUIDELINES

CAUTION:
1. This equipment, being built-in-type, normally becomes a part of the main control panel and in such case the terminals do not remain accessible to the end user after installation and internal wiring.

2. Do not allow pieces of metal, wire clippings, or fine metallic fillings from installation to enter the product or else it may lead to a safety hazard that may in turn endanger life or cause electrical shock to the operator.

3. Circuit breaker or mains switch must be installed between power source and supply terminals to facilitate power 'ON' or 'OFF' function. However this switch or breaker must be installed in a convenient position normally accessible to the operator.

4. Use and store the timer within the specified ambient temperature and humidity ranges as mentioned in this manual.

WARNING:

1. When powering up for the first time, disconnect the output connections.

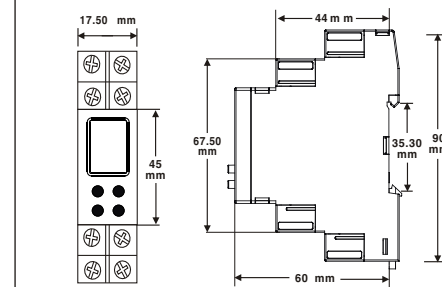
2. Fuse Protection: The unit is normally supplied without a power switch and fuses. Make wiring so that the fuse is placed between the mains power supply switch and the controller.(2 pole breaker fuse- rating: 275VAC, 1A for electrical circuitry is highly recommended)

3. Since this is a built-in-type equipment (finds place in main control panel), its output terminals get connected to host equipment. Such equipment shall also comply with basic EMI/EMC and other safety requirements like BSEN61326-1 and BSEN61010 respectively.

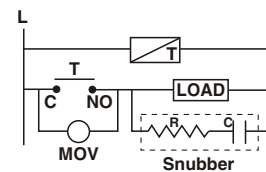
4. The output terminals shall be strictly loaded to the manufacturer specified values/range.

MECHANICAL INSTALLATION

Outline dimensions (in mm)



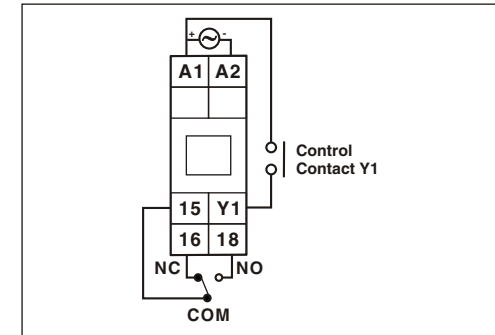
LOAD CONNECTIONS



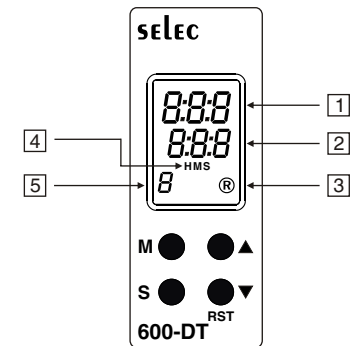
NOTE:

1) Snubber Part No.: APRC - 01.
2) MOV Part No.: AP-MOV - 03.
Use snubber as shown above to increase the life of internal relay.

TERMINAL CONNECTIONS



FRONT PANEL DESCRIPTION



1	Process time / parameters name display	1) Display process time. 2) Displays the parameter name at parameter setting mode.
2	Set time / parameter setting display	1) Display set time 2) Display the parameter settings at parameter setting mode
3	output indication	Lit when output is ON
4	Range indication	Unit of timer & lit when selected
5	Indication of operating mode	Alphabetical representation of operating modes in 7 segment format

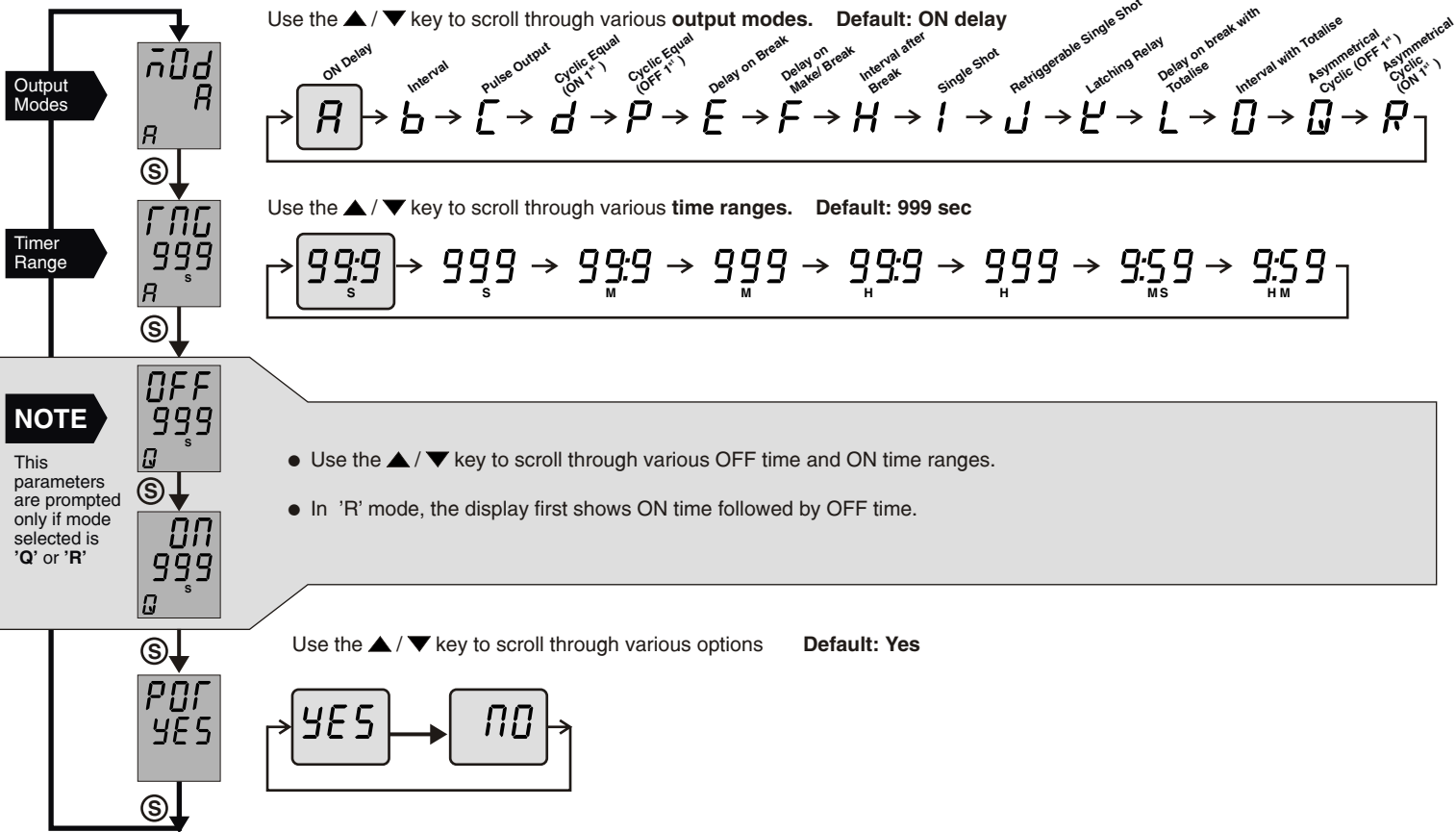
FRONT KEYS DESCRIPTION

Keys	Functions
M	Enter/Exit configuration
S	1. Scrolls to next configuration parameter and stores for previous parameter setting 2. Selects digit to be altered. Selected digit blinks. With every press of (S) key, next digit towards the right starts blinking
▲ Increment	1. Scrolls up to next option to configure the parameter 2. Increments value of blinking digit
▼ Decrement	1. Scrolls down to next option to configure the parameter 2. Decrements value of blinking digit 3. Used as front reset

CONFIGURATION INSTRUCTION

NOTE

Continuous pressing of M key for 3 seconds initiates the programming mode setting as given below. Use the ▲ / ▼ key to scroll through various functions, ranges and (S) key to register / select any function.



The unit will auto exit programming mode after 60 seconds of no activity OR By pressing the 'M' key for 3 sec

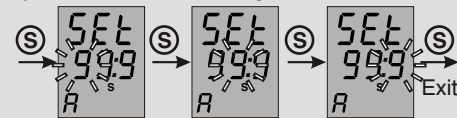
To program set time

- 1 Press the 'S' key for 5 sec
- 2 The display screen will be as follows with the first digit (MSD) of lower display start blinking
- 3 Use the ▲ / ▼ key to increment / decrement the value
- 4 Press 'S' key to select and move to the next digit
- 5 The unit will auto exit program mode once the 'S' key is pressed after setting the last digit (LSD)

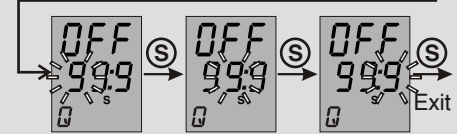
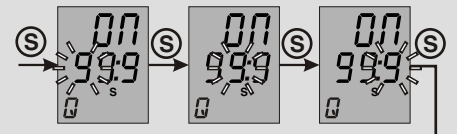
For example the display look like as follows

The unit will auto exit set mode after 60 seconds of no activity.

1) If the mode is ON delay



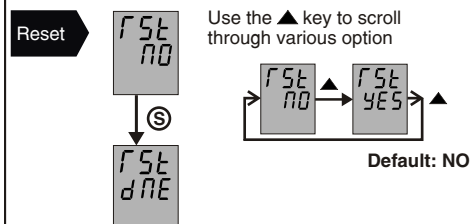
2) If the mode is asymmetric repeat cycle



Reset Method

The unit will enter into reset mode by pressing the ▼ key for 5 sec.

Use ▲ key to scroll through various selection and (S) key to register / select any function.

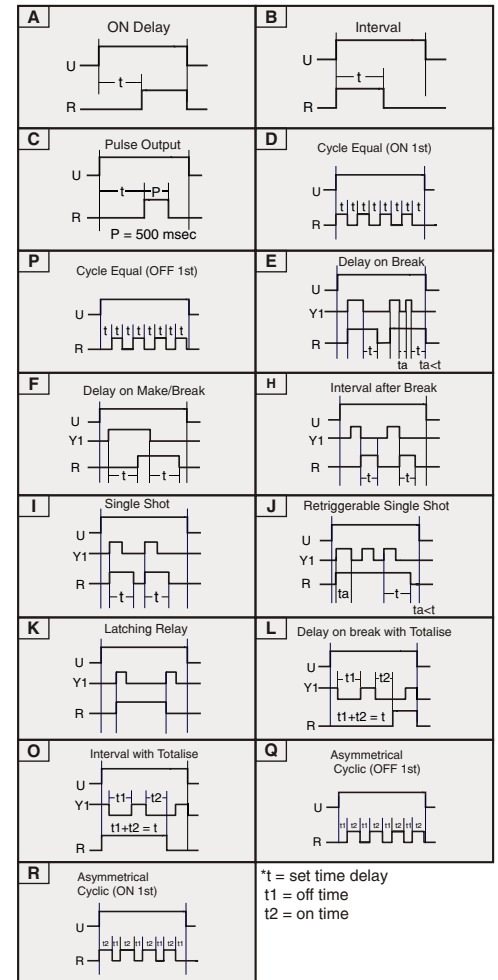


The unit will auto exit reset mode after 60 seconds of no activity OR By pressing the ▼ key for 5 sec.

The setting and status when power cut OFF

- 1) If power fails during operation display, output, backlight will be off
- 2) However backlight will be functional only after giving power supply.
- 3) LCD will be on if any key pressed.
- 4) All configuration setting can be made in this condition
- 5) In power off condition 60 sec of key inactivity will lead to LCD getting off.
- 6) Once power is on as all setting are saved, time progressing will be initialised.

MODES OF OPERATION



Selec Controls Pvt. Ltd.

Specifications are subject to change, since development is a continuous process

Telephone: +91-22-40394200 / 40394202

Fax: +91-22-28471733

Toll free: 1800 227 353

Website: www.selec.com

Email: sales@selec.com

Operating/1002/600-DT/OP271-V01

(Page 2 of 2)